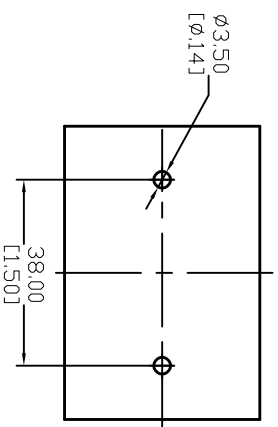
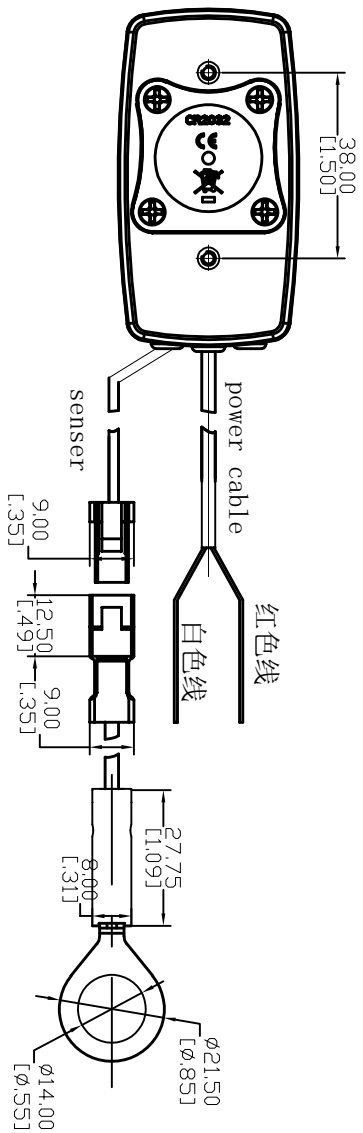
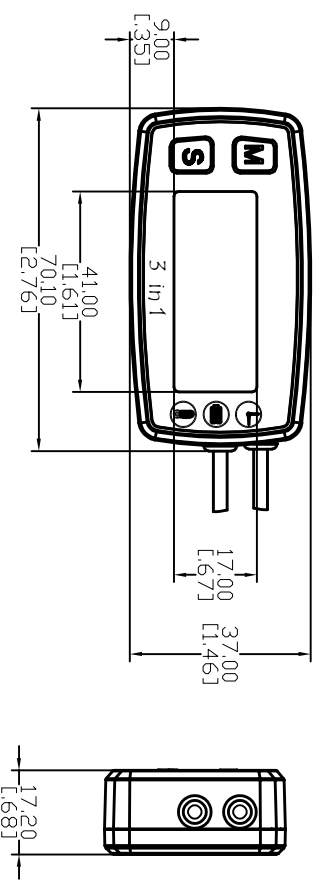


REV.	DESCRIPTION	DATE	INIT
0	INITIAL RELEASE	2022/1/23	
1			



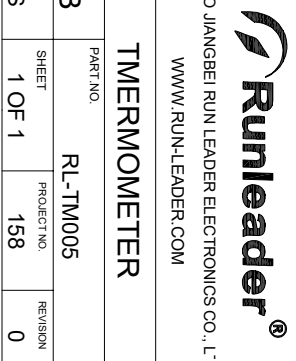
1. Display:
 - LCD display and viewing angle is 12°Clock.
 - 5 digits display and digit height is 8.9mm.
 - Temperature range of LCD screen: -10°C-60°C.
 - Backlight: backlight time can be set and setting range is 0-100; 0 is OFF and 100 is ON; default time is 10s(only in the case of external power supply).
2. Clock function:
 - Display the current clock time from 0-23:59 which can be set; default time is 12:00.
3. Voltage display function:
 - Real-time display of current voltage.
4. Overvoltage reminding and undervoltage reminding can be set and setting range is 8-60V.
5. Temperature measuring function:
 - Temperature measuring range is -20°C-300°C.
 - The reminding temperature can be set and the default temperature is 100°C; setting range is -20°C-300°C.
 - The max temperature can be recorded and is resettable. Reset into -20°C.
 - Temperature in units of Celsius and Fahrenheit is optional. Default unit is Celsius.
6. Power supply:
 - Internal battery power supply: battery type is CR2032 and capacity is 210mAh.
 - External power supply: DC 8-60V



Item	Parameters
Temp	PT 1100
Temperature sensor type	PT 1100
Housing material	ABS BLACK
Product size	69mm*37mm*17.2mm
Display window size	41mm*17mm
Temperature measuring rang	-20°C-300°C
Waterproof rate	IP67
Weight	126g

UNLESS OTHERWISE SPECIFIED DIMENSIONS ARE IN INCHES TOLERANCES ARE:		DRAWN		DATE	
X±	.1	CHECKED	DATE		
XX±	.02	APPROVED	DATE		
XXX±	.005	MATERIAL	PROJECTED VIEWS ARE 3RD ANGLE		
X±	φ	FINISH	SIZE	B	PART NO.
		N/A	SCALE	NTS	RL-TM005
		DO NOT SCALE DRAWING	STATUS	DS4_DESIGN	PROJECT NO.
					158
					0

UNLESS OTHERWISE SPECIFIED DIMENSIONS ARE IN INCHES TOLERANCES ARE:		DRAWN		DATE	
X±	.1	CHECKED	DATE		
XX±	.02	APPROVED	DATE		
XXX±	.005	MATERIAL	PROJECTED VIEWS ARE 3RD ANGLE		
X±	φ	FINISH	SIZE	B	PART NO.
		N/A	SCALE	NTS	RL-TM005
		DO NOT SCALE DRAWING	STATUS	DS4_DESIGN	PROJECT NO.
					158
					0



COMPUTER GENERATED DRAWING-NO MANUAL CHANGES ALLOWED